



Cable Carrier Systems



Contents	
Nylon Flexible Conduit	3
PVC Flexible Conduit - Ultraflex	4
Steel/PVC Flexible Conduit	5
Steel Flexible Conduit - Liquidtight	6
Non-Metallic Conduit - Liquidtight	7
Drag Chains	8
Robotrax	10
Drag Chain Control Cables	12
Drag Chain Power Cables	13

NOTE: © Copyright Eltech Industries - 2008.

This publication is copyright. Other than for the purposes of and subject to the conditions prescribed under the copyright act, no part of it may in any form or by any means be reproduced, stored in a retrieval system or transmitted without prior written permission of Eltech Industries.



Nylon Flexible Conduit

Part No.	Description	Qty
NC08	Conduit 6.6mmID x 10.0mmOD	100M
NC10	Conduit 8.4mmID x 11.5mmOD	100M
NC12	Conduit 9.9mmID x 13.0mmOD	100M
NC16	Conduit 12.7mmID x 16.1mmOD	50M
NC20	Conduit 16.6mmID x 21.2mmOD	50M
NC25	Conduit 21.3mmID x 25.6mmOD	50M
NC32	Conduit 28.8mmID x 34.5mmOD	50M
NC40	Conduit 32.2mmID x 42.5mmOD	25M
NC50	Conduit 46.5mmID x 54.5mmOD	25M



NC20

*Colour: Black

Nylon Flexible Conduit - Straight & 90° Fittings

Part No.	Description	Qty
CAB10M16	Straight Fitting 10mm x M16	5
CAB12M16	Straight Fitting 12mm x M16	5
CAB12M20	Straight Fitting 12mm x M20	5
CAB12PG11	Straight Fitting 12mm x PG11	5
CAB16M16	Straight Fitting 16mm x M16	5
CAB16M20	Straight Fitting 16mm x M20	5
CAB16PG13	Straight Fitting 16mm x PG13	5
CAB20M20	Straight Fitting 20mm x M20	5
CAB20PG16	Straight Fitting 20mm x PG16	5
CAB25M25	Straight Fitting 25mm x M25	5
CAB32M32	Straight Fitting 32mm x M32	5
CAB32PG29	Straight Fitting 32mm x PG29	5
CAB40M40	Straight Fitting 40mm x M40	1
CAB50M50	Straight Fitting 50mm x M50	1
CAB10M1690	90° Fitting 10mm x M16	5
CAB12M1690	90° Fitting 12mm x M16	5
CAB16M1690	90° Fitting 16mm x M16	5
CAB16M2090	90° Fitting 16mm x M20	5
CAB20M2090	90° Fitting 20mm x M20	5
CAB25M2590	90° Fitting 25mm x M25	5
CAB32M3290	90° Fitting 32mm x M32	5
CAB40M4090	90° Fitting 40mm x M40	1
CAB50M5090	90° Fitting 50mm x M50	1



CAB20M20



CAB20M2090

*Fittings include Locknuts

PVC Flexible Conduit - Ultraflex



XF20

Part No.	Description	Qty
XF12	Conduit 10.0mmID x 14.5mmOD	30M
XF16	Conduit 12.0mmID x 16.5mmOD	30M
XF20	Conduit 16.0mmID x 20.5mmOD	30M
XF25	Conduit 22.0mmID x 27.5mmOD	30M
XF32	Conduit 28.0mmID x 33.5mmOD	30M
XF40	Conduit 38.0mmID x 44.0mmOD	30M
XF50	Conduit 50.0mmID x 57.5mmOD	30M

PVC Flexible Conduit - Ultraflex - Straight & 90° Fittings, Rubber End Sleeves



XF20/M20/D



XF20/M20/C90



ESN20

Part No.	Description	Qty
XF12/M16/D	Straight Fitting 12mm x M16	10
XF16/M16/D	Straight Fitting 16mm x M16	10
XF16/M20/D	Straight Fitting 16mm x M20	10
XF20/M20/D	Straight Fitting 20mm x M20	10
XF25/M25/D	Straight Fitting 25mm x M25	10
XF32/M32/D	Straight Fitting 32mm x M32	10
XF40/M40/D	Straight Fitting 40mm x M40	2
XF50/M50/D	Straight Fitting 50mm x M50	2
XF12/M16/C90	90° Fitting 12mm x M16	10
XF16/M16/C90	90° Fitting 16mm x M16	10
XF20/M20/C90	90° Fitting 20mm x M20	10
XF25/M25/C90	90° Fitting 25mm x M25	10
XF32/M32/C90	90° Fitting 32mm x M32	10
ESN12	Rubber End Sleeve 12mm	10
ESN16	Rubber End Sleeve 16mm	10
ESN20	Rubber End Sleeve 20mm	10
ESN25	Rubber End Sleeve 25mm	10
ESN32	Rubber End Sleeve 32mm	10

*Fittings include Locknuts

Black only.

Steel/PVC Flexible Conduit

Part No.	Description	Qty
SP10	Conduit 6.8mmID x 10.0mmOD	25M
SP12	Conduit 10.3mmID x 14.0mmOD	25M
SP16	Conduit 13.0mmID x 17.0mmOD	25M
SP20	Conduit 16.9mmID x 21.5mmOD	25M
SP25	Conduit 21.4mmID x 26.0mmOD	25M
SP32	Conduit 28.1mmID x 34.0mmOD	25M
SP40	Conduit 37.7mmID x 44.5mmOD	25M
SP50	Conduit 48.4mmID x 55.0mmOD	25M
SP63	Conduit 57.5mmID x 64.5mmOD	25M



SP25

*Colours: Black, Orange

Steel/PVC Flexible Conduit - Straight & Swivel Fittings, Terminators (Lock nuts not included - see below)

Part No.	Description	Qty
SP12/M16/A	Straight Fitting 12mm x M16	10
SP16/M16/A	Straight Fitting 16mm x M16	10
SP16/M20/A	Straight Fitting 16mm x M20	10
SP20/M20/A	Straight Fitting 20mm x M20	10
SP25/M25/A	Straight Fitting 25mm x M25	10
SP32/M32/A	Straight Fitting 32mm x M32	2
SP40/M40/A	Straight Fitting 40mm x M40	2
SP50/M50/A	Straight Fitting 50mm x M50	1
SP63/M63/A	Straight Fitting 63mm x M63	1
SP16/M16B	Swivel Fitting 16mm x M16	10
SP16/M20B	Swivel Fitting 16mm x M20	10
SP20/M20B	Swivel Fitting 20mm x M20	10
SP25/M25B	Swivel Fitting 25mm x M25	10
SP32/M32B	Swivel Fitting 32mm x M32	2
SP40/M40B	Swivel Fitting 40mm x M40	2
SP50/M50B	Swivel Fitting 50mm x M50	1
SP16/E	Conduit Plain Terminator 16mm	10
SP20/E	Conduit Plain Terminator 20mm	10
SP25/E	Conduit Plain Terminator 25mm	10
SP32/E	Conduit Plain Terminator 32mm	10



SP25/M25/A



SP25/M25B



SP25/E

Lock Nuts

Part No.	Description	Qty
LNM12	Lock Nut M12 Brass	50
LNM16	Lock Nut M16 Brass	50
LNM20	Lock Nut M20 Brass	50
LNM25	Lock Nut M25 Brass	50
LNM32	Lock Nut M32 Brass	25
LNM40	Lock Nut M40 Brass	10
LNM50	Lock Nut M50 Brass	5
LNM63	Lock Nut M63 Brass	2



LNM25

Steel Flexible Conduit - Liquidtight



SPL20

Part No.	Description	Qty
SPL12	Conduit 10.0mmID x 14.2mmOD (12mm)	25m
SPL16	Conduit 12.5mmID x 17.8mmOD (16mm)	25m/50m/100m
SPL20	Conduit 15.9mmID x 21.1mmOD (20mm)	25m/50m/100m
SPL25	Conduit 21.0mmID x 26.4mmOD (25mm)	25m/50m/100m
SPL32	Conduit 26.7mmID x 33.1mmOD (32mm)	25m
SPL40	Conduit 35.4mmID x 41.8mmOD (40mm)	25m
SPL50	Conduit 40.4mmID x 47.9mmOD (50mm)	25m
SPL63	Conduit 51.6mmID x 59.7mmOD (63mm)	25m

*Colours: Black, Orange, Grey

Steel Flexible Conduit - Liquidtight - Straight, 90° & 45° Fittings, Ground Cones (Lock nuts not included - see p5)



SPL25/M25/M

Part No.	Description	Qty
SPL12/M16/M	Straight Fitting 12mm x M16	10
SPL16/M20/M	Straight Fitting 16mm x M20	10
SPL20/M20/M	Straight Fitting 20mm x M20	10
SPL25/M25/M	Straight Fitting 25mm x M25	10
SPL32/M32/M	Straight Fitting 32mm x M32	2
SPL40/M40/M	Straight Fitting 40mm x M40	1
SPL50/M50/M	Straight Fitting 50mm x M50	1
SPL63/M63/M	Straight Fitting 63mm x M63	1



SPL25/M25/90

SPL16/M20/90	90° Fitting 16mm x M20	10
SPL20/M20/90	90° Fitting 20mm x M20	10
SPL25/M25/90	90° Fitting 25mm x M25	10
SPL32/M32/90	90° Fitting 32mm x M32	2
SPL40/M40/90	90° Fitting 40mm x M40	1
SPL50/M50/90	90° Fitting 50mm x M50	1



SPL25/E

SPL16/M20/45	45° Fitting 16mm x M20	10
SPL20/M20/45	45° Fitting 20mm x M20	10
SPL25/M25/45	45° Fitting 25mm x M25	10
SPL32/M32/45	45° Fitting 32mm x M32	2
SPL40/M40/45	45° Fitting 40mm x M40	1

SPL12/E	Ground Cone for 12mm Conduit	10
SPL16/E	Ground Cone for 16mm Conduit	10
SPL20/E	Ground Cone for 20mm Conduit	10
SPL25/E	Ground Cone for 25mm Conduit	10
SPL32/E	Ground Cone for 32mm Conduit	2
SPL40/E	Ground Cone for 40mm Conduit	1
SPL50/E	Ground Cone for 50mm Conduit	1
SPL63/E	Ground Cone for 63mm Conduit	1

Non-Metallic Conduit - Liquidtight

Part No.	Description	Qty
RF16	Conduit 12.7mmID x 17.8mmOD	30M
RF20	Conduit 16.2mmID x 21.1mmOD	30M
RF25	Conduit 21.2mmID x 26.4mmOD	30M
RF32	Conduit 27.0mmID x 33.1mmOD	30M
RF40	Conduit 35.7mmID x 41.8mmOD	30M
RF50	Conduit 40.5mmID x 47.8mmOD	15M
RF63	Conduit 51.8mmID x 59.9mmOD	15M



RF32

*Colours: Oil Resistant Green, Orange & Black 16-32mm only.

Non-Metallic Conduit - Liquidtight- Straight & 90° Fittings

Part No.	Description	Qty
RF16/M16/A	Straight Fitting 16mm x M16	10
RF20/M20/A	Straight Fitting 20mm x M20	10
RF25/M25/A	Straight Fitting 25mm x M25	10
RF32/M32/A	Straight Fitting 32mm x M32	10
RF16/M20/P90	90° Fitting 16mm x M20	10
RF20/M20/P90	90° Fitting 20mm x M20	10
RF25/M25/P90	90° Fitting 25mm x M25	10
RF32/M32/P90	90° Fitting 32mm x M32	10



RF32/M32/A

*Fittings include Locknuts

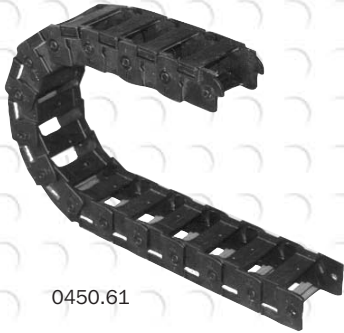
*RF Conduit & Fittings are Non-Metallic.

This conduit is used in the food industry because of its smooth outer sheath.

Drag Chains



0180.30



0450.61



Part No.	Internal	External	Avail Bend Radius
0130.06	6W x 10H	12W x 12.5H	20 28 37
0130.10	10W x 10H	16W x 12.5H	20 28 37
0130.15	15W x 10H	21W x 12.5H	20 28 37
0130.20	20W x 10H	26W x 12.5H	20 28 37
0180.10	10W x 15H	18W x 18H	28 37 50
0180.15	15W x 15H	23W x 18H	28 37 50
0180.20	20W x 15H	28W x 18H	28 37 50
0180.30	30W x 15H	38W x 18H	28 37 50
0180.40	40W x 15H	48W x 18H	28 37 50
*0320.20	13W x 19H	24W x 25H	37 47 77
*0320.30	19W x 19H	30W x 25H	37 47 77
*0320.42	24W x 19H	35W x 27H	37 47 77 100
*0320.52	29W x 19H	40W x 27H	37 47 77
*0320.62	37W x 19H	48W x 27H	37 47 77 100
*0450.20	38W x 24H	54W x 34H	52 94 125 150 200
0450.21	38W x 24H	54W x 40H	52 94 125 150 200
*0450.22	38W x 28H	54W x 40H	52 60 75 94 110 125 150
*0450.40	58W x 24H	74W x 34H	52 94 125 150 200
0450.41	58W x 24H	74W x 40H	52 94 125 150 200
*0450.42	58W x 28H	74W x 40H	52 60 75 94 110 125 150
*0450.60	78W x 24H	94W x 34H	52 94 125 150 200
0450.61	78W x 24H	94W x 40H	52 94 125 150 200
*0450.62	78W x 28H	94W x 40H	52 60 75 94 110 125 150
0450.81	103W x 24H	119W x 40H	52 94 125 150 200
*0450.82	103W x 28H	119W x 40H	52 60 75 94 110 125 150
*0450.85	103W x 24H	119W x 34H	52 94 125 150 200
*0625.22	65W x 34H	93W x 62H	90 125 200 300
0625.25	65W x 42H	93W x 62H	90 125 150 200 250 300
*0625.40	108W x 34H	126W x 56H	75 90 125 200 300
*0625.42	108W x 34H	136W x 62H	75 90 125 200 300
0625.45	108W x 42H	136W x 62H	90 125 150 200 250 300
0625.55	125W x 42H	153W x 62H	90 125 150 200 250 300
0625.65	150W x 42H	178W x 62H	90 125 150 200 250 300
0625.75	169W x 42H	197W x 62H	90 125 150 200 250 300

*Non Openable

End Connector Sets



0180-EC

Part No.	Description
0130-EC	End Connector Set for 0130 Chain
0180-EC	End Connector Set for 0180 Chain
0320-EC	End Connector Set for 0320 Chain
0450-EC	End Connector Set for 0450 Chain
0625-EC	End Connector Set for 0625 Chain

Drag Chains

Part No.	Internal	External	Avail Bend Radius
0345.15	15W x 20H	28W x 28H 38	50 75 100 125 150
0345.20	20W x 20H	33W x 28H 38	50 75 100 125 150
0345.25	25W x 20H	38W x 28H	38 50 75 100 125 150
0345.38	38W x 20H	51W x 28H	38 50 75 100 125 150
0345.50	50W x 20H	63W x 28H	38 50 75 100 125 150
0345.65	65W x 20H	78W x 28H	38 50 75 100 125 150
0455.25	25W x 26H	43W x 36H	52 65 95 125 150 180 200 225
0455.38	38W x 26H	56W x 36H	52 65 95 125 150 180 200 225
0455.58	58W x 26H	76W x 36H	52 65 95 125 150 180 200 225
0455.78	78W x 26H	96W x 36H	52 65 95 125 150 180 200 225
0455.103	103W x 26H	121W x 36H	52 65 95 125 150 180 200 225
0455.130	130W x 26H	158W x 36H	52 65 95 125 150 180 200 225
0555.50	50W x 38H	72W x 50H	63 80 100 125 160 200 230
0555.75	75W x 38H	97W x 50H	63 80 100 125 160 200 230
0555.100	100W x 38H	122W x 50H	63 80 100 125 160 200 230
0555.125	125W x 38H	147W x 50H	63 80 100 125 160 200 230
0555.150	150W x 38H	172W x 50H	63 80 100 125 160 200 230
0665.50	50W x 44H	77W x 60H	75 100 120 140 200 250 300
0665.75	75W x 44H	102W x 60H	75 100 120 140 200 250 300
0665.100	100W x 44H	127W x 60H	75 100 120 140 200 250 300
0665.125	125W x 44H	152W x 60H	75 100 120 140 200 250 300
0665.150	150W x 44H	177W x 60H	75 100 120 140 200 250 300
0665.175	175W x 44H	202W x 60H	75 100 120 140 200 250 300
0665.200	200W x 44H	227W x 60H	75 100 120 140 200 250 300
0665.225	225W x 44H	252W x 60H	75 100 120 140 200 250 300
0665.250	250W x 44H	277W x 60H	75 100 120 140 200 250 300



0455.58



0665.150

End Connector Sets & Dividers

Part No.	Description
0345.EC	End Connector Set for 0345 Chain
0455.EC	End Connector Set for 0455 Chain
0555.EC	End Connector Set for 0555 Chain
0665.EC	End Connector Set for 0665 Chain
0345.DIV	Dividers for all 0345 Chains
0455.DIV	Dividers for all 0455 Chains
0555.DIV	Dividers for all 0555 Chains
0665.DIV	Dividers for all 0665 Chains



0555.EC



0455.DIV



Robotrax



An Engineered Solution with Perfectly Matched Components

The revolutionary basic structure of the new ROBOTRAX carrier system is comprised of individual nylon "vertebra" links with integral ball and socket style snap-together connectors on each link. These allow individual links to be easily snapped together to a complete cable carrier chain that matches the application's desired length requirement.

ROBOTRAX's unique design allows for radial link rotating movement. The minimum bend radius is maintained for all rotation movements.

Quick movements of articulating arm robots result in high acceleration forces, exerting extreme pulling forces on the cable carrier system. To address this challenge, all ROBOTRAX links are also designed with a central hole running through the length of the system assembly which can accept a braided steel wire that is fixed at both ends by metal shim bolts. This reinforces the entire assembly to withstand such acceleration forces whenever needed. With the steel braided wire installed, ROBOTRAX allows for **acceleration forces of up to 10g.**

Longevity of cables and hoses:

Since the forces are absorbed by the cable carrier system itself and not through the cables and hoses, your machine's lifelines are perfectly protected.

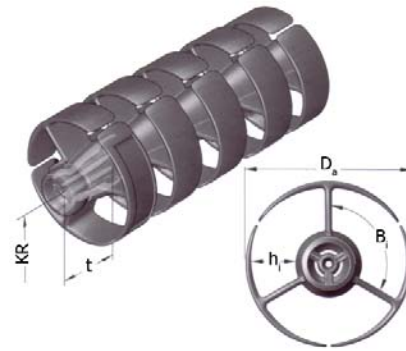
The shim bolts are used to safely tighten the steel wire as well as the complete assembly.



Dimensions for cable carrier system

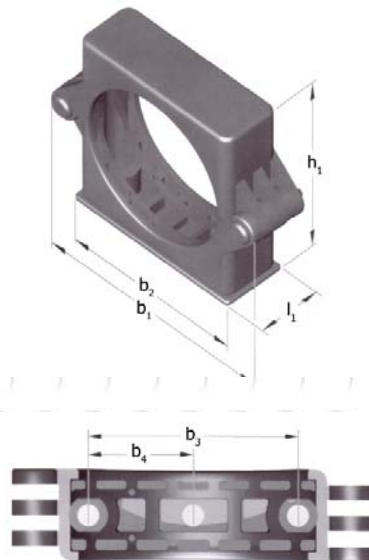
ROBOTRAX has three individually separated compartments for the safe segregation of cables and hoses.

Type	R 040	R 056	R 075	R 085	R 100
Cable diameter	2 - 8.5	2 - 11	3 - 18	3 - 20	3 - 27
Bend radius (mm)	80	115	145	175	195
Radial link rotation over 1m length	±450°	±300°	±215°	±215°	±215°
D _a	40	56	75	85	100
B _i	27	39	52	54	64
h _i	10	14	22	24	31
t	21.5	32	40	40	40



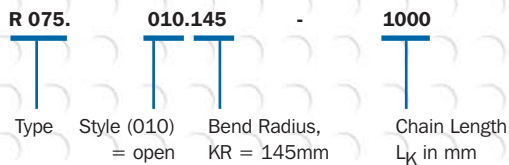
Dimensions for the hinged-opening mounting brackets

Type	R 040	R 056	R 075	R 085	R 100
h ₁	54	70	86	105	120
l ₁	15	22	28	30	32
b ₁	82	86	110	133	150
b ₂	50	63	82	96	112
b ₃	35	48	64	72	70
b ₄	18	24	32	36	35



How to order complete ROBOTRAX cable carrier system and mounting brackets

e.g. Cable carrier system ROBOTRAX R 075 (open style), KR 145mm, length 1000 mm



The correct order number for a completely assembled ROBOTRAX cable carrier system is composed of type, style, KR as well as carrier length. At present the open style 010 is available.



LIFE-LINE Control 400 Standard^{PLUS}

Conductor: Finely stranded bare copper wires in an optimized hi-flex design.
Strain relief: Tension-proof centre element (≥ 5 cores).
Core insulation: PVC.
Core colours: Black, protective conductor yellow/green
Core stranding: Conductor cores bundled in short pitches with minimal torsion around a tension-proof centre element (> 8 cores).
 Conductor cores layered in short pitches with minimal torsion around a tension-proof centre element (≤ 8 cores).
Core identification: Numbers white, protective conductor yellow/green.
Outer jacket: Special, continuous bending hi-flex PVC compound.
Jacket colour: Black with ICC Colour Identification based on the DESINA color code.
Temperature range: -5 to $+80^{\circ}\text{C}$.
Minimum bend radius*: $KR_{min} \geq 7.5 \times \varnothing$.
Isolation resistance: ≥ 30 Mega ohm x km.
Voltage: according to VDE 300/500 Volt; according to UL 300 Volt.
Approvals: UL, based on VDE.

* for use in cable carrier applications

Part No.	Description	Nom O/D mm	Qty
48040	3 C+E 0.75mm ²	6.7	M
48042	6 C+E 0.75mm ²	8.9	M
48043	11 C+E 0.75mm ²	13.2	M
48044	17 C+E 0.75mm ²	16.1	M
48045	24 C+E 0.75mm ²	17.8	M
48047	3 C+E 1.0mm ²	7.2	M
48049	6 C+E 1.0mm ²	9.6	M
48050	11 C+E 1.0mm ²	14.2	M
48051	17 C+E 1.0mm ²	17.4	M
48052	24 C+E 1.0mm ²	19.4	M
48054	3 C+E 1.5mm ²	8.1	M
48056	6 C+E 1.5mm ²	11.1	M
48057	11 C+E 1.5mm ²	15.5	M
48058	17 C+E 1.5mm ²	18.5	M
48059	24 C+E 1.5mm ²	21.6	M
48060	3 C+E 2.5mm ²	9.5	M



LIFE-LINE Control 400 C Standard^{PLUS} Screened

Conductor: Finely stranded bare copper wires in an optimized hi-flex design.
Strain relief: Tension-proof centre element (≥ 5 cores).
Core insulation: PVC.
Core colours: Black, protective conductor yellow/green.
Core stranding: Conductor cores bundled in short pitches with minimal torsion around a tension-proof centre element (> 8 cores). Conductor cores layered in short pitches with minimal torsion around a tension-proof centre element (≤ 8 cores).
Core identification: Numbers white, protective conductor yellow/green.
Total shield: linear coverage index 62% ; optical coverage index 85%.
Outer jacket: Special, continuous bending hi-flex PVC compound.
Jacket colour: black with ICC Colour Identification based on the DESINA colour code.
Temperature range: -5 to $+80^{\circ}\text{C}$.
Minimum bend radius*: $KR_{min} \geq 7.5 \times \varnothing$.
Isolation resistance: ≥ 30 Mega ohm x km
Voltage: according to VDE 300/500 Volt; according to UL 300 Volt.
Approvals: UL, based on VDE

* for use in cable carrier applications

Part No.	Description	Nom O/D mm	Qty
48070	3 C+E 0.75mm ² Screened	8.7	M
48071	6 C+E 0.75mm ² Screened	10.9	M
48072	11 C+E 0.75mm ² Screened	15.3	M
48073	17 C+E 0.75mm ² Screened	18.2	M
48074	24 C+E 0.75mm ² Screened	20.0	M
48075	3 C+E 1.0mm ² Screened	9.2	M
48076	6 C+E 1.0mm ² Screened	11.9	M
48077	11 C+E 1.0mm ² Screened	16.5	M
48078	17 C+E 1.0mm ² Screened	19.5	M
48080	3 C+E 1.5mm ² Screened	9.7	M
48082	6 C+E 1.5mm ² Screened	13.2	M
48083	11 C+E 1.5mm ² Screened	17.7	M
48084	17 C+E 1.5mm ² Screened	21.0	M
48085	24 C+E 1.5mm ² Screened	24.9	M



LIFE-LINE Power 400

Conductor: Finely stranded bare copper wires in an optimized hi-flex design.
Core insulation: TPM.
Strain relief: Type-optimized core elements.
Core colour: Black, protective conductor yellow/green.
Core stranding: Conductor cores bundled in short pitches with minimal torsion (> 8 cores).
 Conductor cores layered in short pitches with minimal torsion (\leq 8 cores).
Core identification: Numbers white, protective conductor yellow/green.
Outer jacket color: DESINA black.
Temperature range: - 5 to + 80°C.
Minimum bend radius*: KR min \geq 7.5 x Ø.
Isolation resistance: \geq 30 Mega ohm x km.
Voltage: according to VDE 600 Volt/1kV; according to UL/CSA 600 Volt.
Approvals: UL, CSA, based on VDE

Part No.	Description	Nom O/D mm	Qty
45222	3 C+E 2.5mm ²	9.4	M
45242	3 C+E 4.0mm ²	11.3	M
45252	3 C+E 6.0mm ²	13.4	M
45262	3 C+E 10.0mm ²	16.6	M
45272	3 C+E 16.0mm ²	20.9	M

* for use in cable carrier applications



LIFE-LINE Power 700C Screened PUR

Conductor: Extremely fine stranded conductors of bare copper wires in an optimized hi-flex design.
Core insulation: KS-TPM.
Strain Relief: Type-optimized centre elements.
Core colours: Black, protective conductor yellow/green.
Core stranding: Conductor cores bundled in short pitches with minimal torsion (>8 cores).
 Conductor cores layered in short pitches with minimal torsion (\leq 8 cores).
Total shield: Linear coverage index 62% : optical coverage index 85%.
Outer jacket: Special, continuous bending hi-flex and nick-resistant KS PUR compound.
Jacket color: DESINA orange.
Temperature range: - 30 to + 80°C.
Minimum bend radius*: KR min \geq 7.5 x Ø.
Isolation resistance: \geq 30 Mega ohm x km.
Voltage: According to VDE 600 Volt/1kV; according to UL/CSA 600 Volt.
Approvals: UL, CSA, based on VDE.

Part No.	Description	Nom O/D mm	Qty
45781	3 C+E 2.5mm ² Screened	11.7	M
45801	3 C+E 4.0mm ² Screened	13.3	M
45802	3 C+E 6.0mm ² Screened	16.0	M
45803	3 C+E 10.0mm ² Screened	19.5	M
45804	3 C+E 16.0mm ² Screened	24.8	M
45805	3 C+E 25.0mm ² Screened	28.8	M

* for use in cable carrier applications



Distributed by:



Phone: 1800 007 458
Fax: 1300 885 122
e-mail: sales@eltechindustries.com.au