

**SolarConnect**  
**SOLAR ENERGY CONNECTIONS**



*NOTE: © Copyright Eltech Industries - 2009.*

*This publication is copyright. Other than for the purposes of and subject to the conditions prescribed under the copyright act, no part of it may in any form or by any means be reproduced, stored in a retrieval system or transmitted without prior written permission of Eltech Industries. SolarConnect is not yet a registered Trade Mark. SolarConnect is pending Trade Mark registration of which an application has been made. Should the application be disqualified, Eltech Industries will take actions to remove SolarConnect markings off all literature & products.*

*All prices are GST exclusive.*

# SolarConnect

Welcome to SolarConnect, the new name in the Solar Energy Industry. Eltech Industries has established SolarConnect as a leading brand name in the supply of electrical connection systems to Australia's rapidly growing, environmentally friendly, solar energy industry.

SolarConnect offers a quality range of products, specifically designed to withstand the harsh environments this country has to offer.

At very competitive prices, Solarconnect's product range forms cost effective solutions for all your Solar Energy installations, whilst still maintaining the highest quality & ease of workability. Covered by an Australia wide two year warranty against any manufacturing defects, these products will give the confidence and assurance needed for all your field installations regardless of the circumstances and will keep you coming back for more.

SolarConnect's range of connection systems are fully compatible with existing brands and systems, the only difference you will notice is the price!




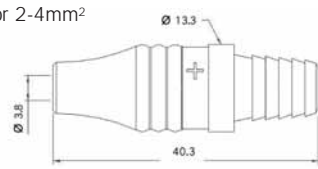

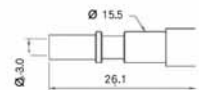

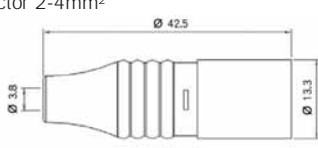

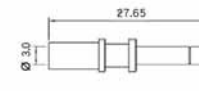

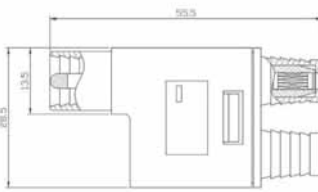

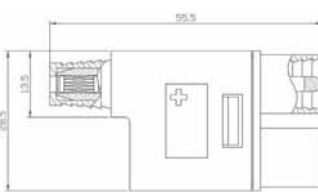

## Contents

MC3 Connection System. . . . .	4
MC4 Connection System. . . . .	5
Pre Assembled Leads, Adaptor Leads . . . . .	6
Solar SDI Cable . . . . .	6
Miniature Circuit Breakers . . . . .	7
Fuses and Fuse Holders . . . . .	7
Weatherproof Enclosures . . . . .	7
Nylon Cable Glands. . . . .	7
Contact Details. . . . .	8




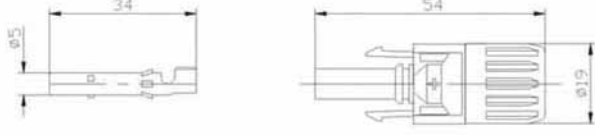

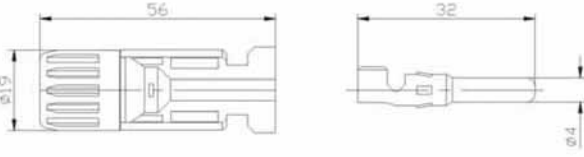

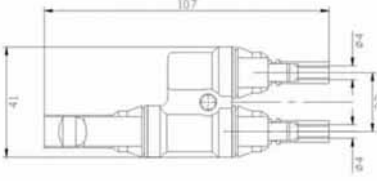

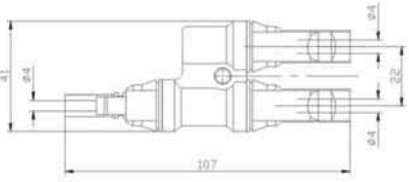

## MC3 Connection System

- Features**
- UV Resistant
  - IP65 Rated
  - 1000V DC, 30 Amp Rating

Part No.	Description	Qty	Price/ea \$
CCM3-11	Male Connector 2-4mm <sup>2</sup>	1	3.90
			
CCF3-11	Female Connector 2-4mm <sup>2</sup>	1	4.10
			
BC3-FMM	Branch Plug	1	12.55
			
BC3-MFF	Branch Socket	1	13.35
			
CCT-MC3	Crimping Tool to suit MC3 Connectors - Bench Mountable	1	952.30
			

## MC4 Connection System

- Features**
- UV Resistant
  - IP67 Rated
  - 1000V DC, 30 Amp Rating

Part No.	Description	Qty	Price/ea \$
CCM4-12	Male Connector 4-6mm <sup>2</sup>	1	2.80
			
CCF4-12	Female Connector 4-6mm <sup>2</sup>	1	3.30
			
BC4-FMM	Branch Plug	1	13.80
			
BC4-MFF	Branch Socket	1	14.10
			
MC4-TK	Tool Kit to suit MC4 Connectors	1	616.00
Includes:			
<ul style="list-style-type: none"> <li>• Crimping Tools</li> <li>• Long Nose Pliers/Wire Cutters</li> <li>• Connector Open End Spanners</li> <li>• Screw Drivers</li> <li>• Carry Case</li> </ul>			
		<i>Note: Tools can be sold individually on request.</i>	

## Pre Assembled Leads


ALL CABLES  
ARE LOW SMOKE  
ZERO HALOGEN,  
UV RESISTANT

- Features**
- Cable & Connectors – UV Resistant
  - Available in MC3 & MC4 Configurations
  - Available in 2, 5 & 8 Meter Lengths
  - Low Smoke Zero Halogen Materials

Part No.	Description	Length	Qty	Price \$
PV3-CABASS/2M	MC3 Male to Female	2 Meter	1	18.60/L
PV3-CABASS/5M	MC3 Male to Female	5 Meter	1	24.00/L
PV3-CABASS/8M	MC3 Male to Female	8 Meter	1	30.25/L



*PV4-CABASS/2M	MC4 Male to Female	2 Meter	1	18.60/L
*PV4-CABASS/5M	MC4 Male to Female	5 Meter	1	24.00/L
*PV4-CABASS/8M	MC4 Male to Female	8 Meter	1	30.25/L



*\* Made to order: 1-2 week lead time.*

PV-CABASS-MF4	MC3 Male to MC4 Female adaptor	300mm	1	9.60/ea
---------------	--------------------------------	-------	---	---------



PV-CABASS-FM4	MC3 Female to MC4 Male adaptor	300mm	1	9.60/ea
---------------	--------------------------------	-------	---	---------




SOL-SDI-UV4	Radiated LSZH/Radiated LSZH SDI Solar Cable 4mm <sup>2</sup>	Mtr		2.10/M
SOL-SDI-UV6	Radiated LSZH/Radiated LSZH SDI Solar Cable 6mm <sup>2</sup>	Mtr		POA/M




## Miniature Circuit Breakers

- Features**
- Din Rail Mounting
  - 6Ka 220-440V Rated
  - IEC Marked & conforms to IS:8828 / IEC 60898
  - Available in both AC & DC

	Part No.	Description	Qty	Price/ea \$
 <p>Circuit Breakers</p> <p>Fuse Holder</p> <p>Fuse</p>	CB1P6KA10AC	Circuit Breaker 1 Pole 10 Amp AC	1	6.20
	CB1P6KA16AC	Circuit Breaker 1 Pole 16 Amp AC	1	6.20
	CB1P6KA20AC	Circuit Breaker 1 Pole 20 Amp AC	1	6.20
	CB2P6KA10DC	Circuit Breaker 2 Pole 10 Amp DC	1	27.90
	CB2P6KA16DC	Circuit Breaker 2 Pole 16 Amp DC	1	27.90
	CB2P6KA20DC	Circuit Breaker 2 Pole 20 Amp DC	1	27.90
	EL 05808	Flip Top Fuse Holder – DIN Mounting	10	21.70
	EL 13310	HRC Fuse 500V AC/DC 10 Amp	10	10.26
	EL 13316	HRC Fuse 500V AC/DC 16 Amp	10	10.26
	EL 13320	HRC Fuse 500V AC/DC 20 Amp	10	10.26
	EL 13325	HRC Fuse 500V AC/DC 25 Amp	10	10.26
	EL 13332	HRC Fuse 500V AC/DC 32 Amp	10	10.26


## Weatherproof Enclosures

- Features**
- IP66 Rated
  - Material: UV Resistant
  - Padlockable

	Part No.	Description	Qty	Price/ea \$
	ELT CB4N	Weatherproof MCB Enclosure Suits 1-4 Pole MCB configurations	1	32.85

## Nylon Cable Glands – IP68

- Features**
- UV Resistant
  - IP 68 Rated

	Part No.	Description	Cable Range	Thread Length	Qty	Price/ea \$
	CG 16	M16	5-10mm	15mm	50	0.58
	CG 20	M20	10-14mm	14.5mm	40	0.76
	CG 25	M25	13-18mm	15mm	20	1.17
	CG 32	M32	18-25mm	15mm	15	1.70

# “Committed to Service”



## Eltech Industries

ABN 60 716 557 468

8 Industry Court,  
PO Box 84  
LILYDALE Vic. 3140  
Australia

Telephone: (+61 3) 9737 2100

Facsimile: 1300 885 122

Toll Free: 1800 007 458

E-mail: [sales@eltechindustries.com.au](mailto:sales@eltechindustries.com.au)

Website: [www.eltechindustries.com.au](http://www.eltechindustries.com.au)



**STOLZ™**

• Enclosure Solutions



• Rail Mount Terminals  
• Multipole Connectors



Flexible Cables

• PVC  
• Rubber  
• Welding  
• Super Flex